

## 44W CONSTANT CURRENT DIMMABLE DALI2 SERIES

Constant Current DALI2-series is constant current LED driver with 700 to 1050 mA output current and a forward voltage range from 9 to 52VDC the output current is selectable by DIP switch, it is easy to integrate in LED panel, downlight product. It is supported with short circuit and overload protection.

### → APPLICATION

- LED Panel
- LED Spot light
- LED Down light
- LED Strip light



### → FEATURES

- Flicker free & Dip Switch.
- Class II, SELV, independent.
- Protections: SCP/OLP/OVP/OTP.
- Power Factor  $>0.95$
- Efficiency  $\geq 87\%$ .
- Support DALI II, Push Dimming.
- Five years warranty.



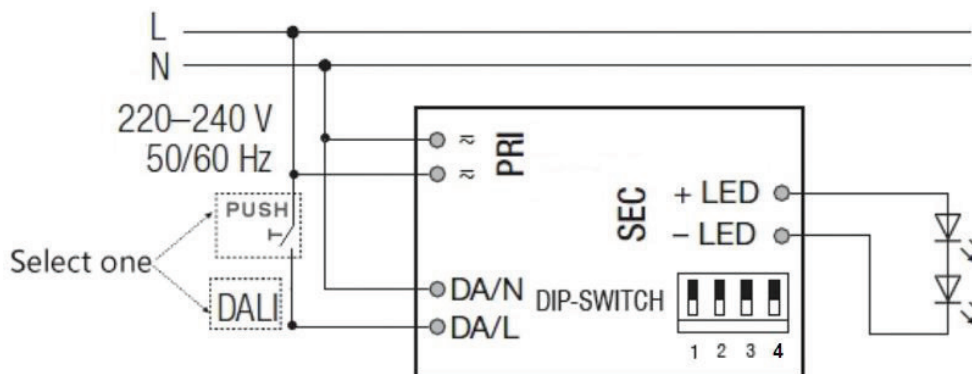
**→ Technical data**

Input	Ac input voltage	220-264VAC
	DC input voltage	176-280V
	Frequency(Hz)	0/50/60 Hz
	Power Factor	> 0.95@220-240VAC, full load
	Input Current max	0.34A MAX. @Full Load,176VAC
	Start-up time	< 1S
	Unload Power Consumption	≤0.5W
	Inrush Current	30A Max.
Output	Constant Current	700/.../1050mA
	No load voltage Max	60 VDC
	Output voltage range	9-52VDC
	Rated power	44.1W Max.
	Load Regulation	±5%@220-240VAC
	Hold-up Time	1s max.@Full Load
	Efficiency(Typ.)	≥85%
Dimming	Dimmable	YES
	Dimming mode	DALI II, Push
	Dimming current range	1%~100% ;
Protection	Over Load Protection	103-120% Protection type: Latch off
	Over Voltage Protection	> 60VDC Protection type: Latch off
	Short circuit Protection	Protection type: Latch off
	Over Temperature protection	Protection type:Auto Resume
Environment	Operating Temperature	-20°C...+50°C
	tc	+75°C
	Humidity	-20%-90%RH
	Storage Temperature	-25°C..... +60°C
	Life Time	>44,000h@45 °C
	EMI	EN55015; EN61000-3-2 Class C; EN61000-3-3
	EMS	EN 61547; EN 61000-4-2; EN 61000-4-5 — 1000V;
	Dimension(LXWXH)	187X45X30.5mm
Note	Ripple and noise are measured at 20MHZ of bandwidth by using a 300mm twisted pair-wire terminated	
	All parameters NOT specially mentioned are measured at 240VAC input, full load and 25C of ambient temperature.	

## → ADJUSTABLE OUTPUT CURRENT WITH DIP-SWITCH

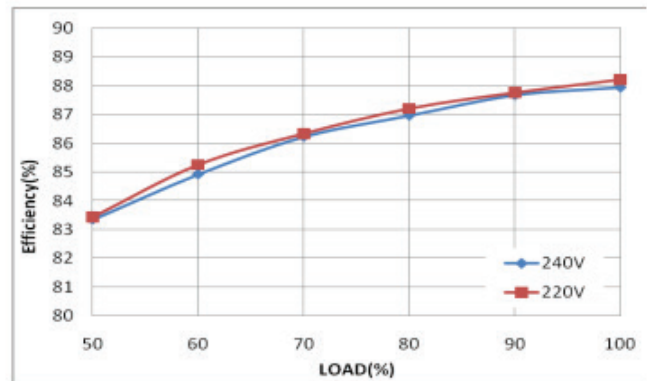
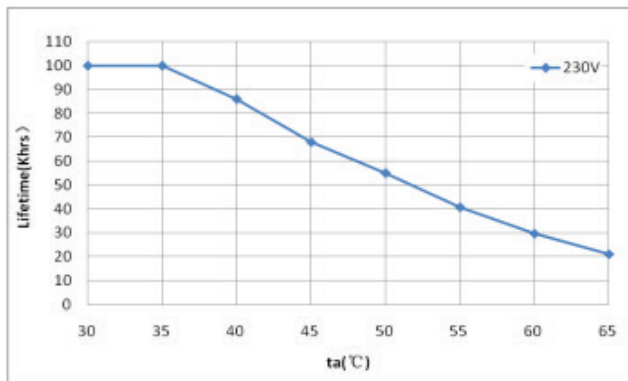
Vo	Po	Io	3	2	1
9-52VDC	36.4W	700mA	--	--	--
9-52VDC	39W	750mA	--	--	ON
9-52VDC	41.6W	800mA	--	ON	--
9-49VDC	41.7W	850mA	--	ON	ON
9-49VDC	44.1W	900mA	ON	--	--
9-46VDC	43.7W	950mA	ON	--	ON
9-44VDC	44W	1000mA	ON	ON	--
9-42VDC	44.1W	1050mA	ON	ON	ON

## → WIRING DIAGRAM

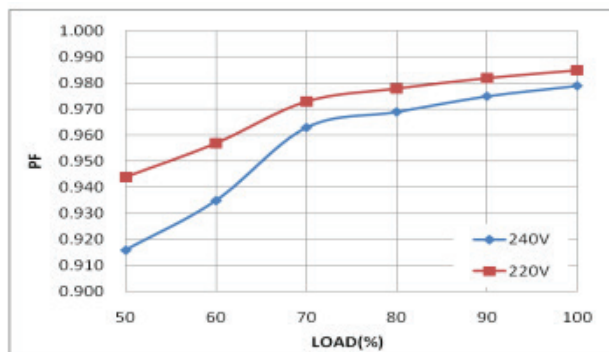


**➔ FUNCTION CURVE FOR QPEC-DAL2-25-700 EDS, IO=1050MA**

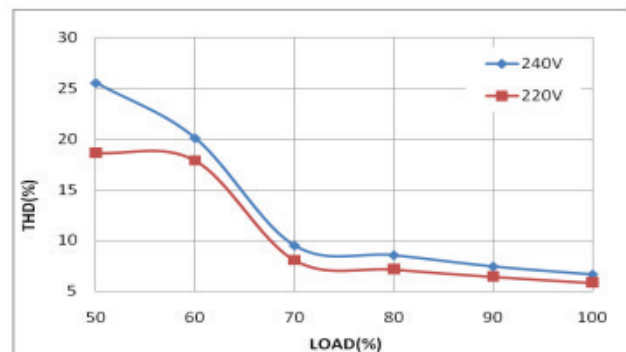
**LIFETIME VS. AMBIENT TEMPERATURE CURVE      EFFICIENCY VS. LOAD**



**POWER FACTOR CHARACTERISTICS**



**THD VS. LOAD**



**→ DIMENSIONS**

