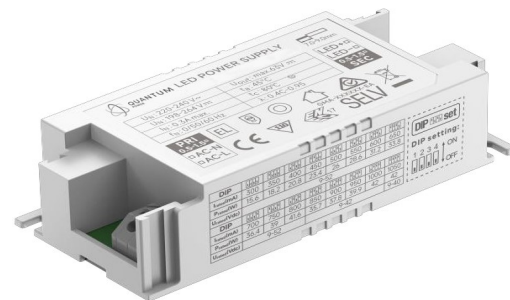


## 21W CONSTANT CURRENT STANDARD DIP SWITCH SERIES

Constant current LED driver with 150 to 500mA output current and a forward voltage range from 10 to 42Vdc. The output current is selectable by DIP Switch. With it's compact dimensions from 97 x 43 x30 mm it is easy to integrate in LED Panel and down light products. The side covers are available as accessories and allow to use the LED driver .

### → APPLICATION

- LED Panel
- LED Spot light
- LED Down light
- LED Strip light



### → FEATURES

- Flicker free & Dip-Switch
- Class II, SELV built-in/independent
- Protections: SCP/OLP/OVP
- Power Factor >0.95
- Efficiency ≥85%.
- Five years warranty



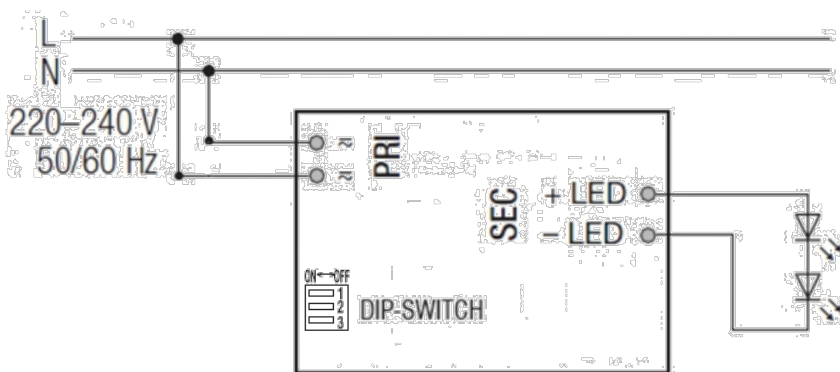
➔ **Technical data**

|              |  |  |
|--------------|--|--|
| Input        | Rated input voltage  | 220-240VAC                                   |
|              | Range of input voltage   | 176-264VAC                                   |
|              | DC voltage range   | 176-280V                                     |
|              | Frequency(Hz)  | 0/50/60 Hz                                   |
|              | Power Factor   | > 0.95@220-240Vac, full load                 |
|              | Input Current max  | 0.16A MAX. @Full Load,176VAC                 |
|              | Start-up time  | < 0.5S                                       |
|              | Unload Power Consumption   | ≤0.5W  |
|              | Inrush Current   | 10A Max.                                     |
| Output       | Constant Current Max. *Note.3  | 150/200/.../500mA                            |
|              | No load voltage Max.   | 52VDC  |
|              | Output Voltage Range   | 10-42VDC                                     |
|              | Rated power  | 21W Max.                                     |
|              | Load Regulation  | ±5%@220-240VAV                               |
|              | Hold-up Time   | 1s max.@Full Load                            |
|              | Efficiency(Typ.)   | ≥85%   |
| Protection   | Over Load Protection   | 103-120%<br>Protection type: Auto Resume     |
|              | Over Voltage Protection  | > 52VDC<br>Protection type: Auto Resume      |
|              | Short circuit Protection   | Protection type: Auto Resume                 |
| Environment  | Operating Temperature  | -20°C...+45°C                                |
|              | tc   | 80°C   |
|              | Storage Temperature  | -25°C...+60°C                                |
|              | Life time  | >44,000H@ta=45°C                             |
|              | Humidity   | 20%-90%RH                                    |
| Safety & EMC | Safety standards   | EN 61347-1; EN61347-2-13; EN62384            |
|              | Withstand voltage  | Input-Output : 3750V/5mA/1min                |
|              | EMI  | EN55015; EN61000-3-2 Class C; EN61000-3-3    |
|              | EMS  | EN 61547; EN 61000-4-2; EN 61000-4-5 —1000V; |
| Dimension    | With side caps:  | 131X43X30(LXWXH)mm                           |
|              | Without side caps:   | 97X43X30(LXWXH)mm                            |
| Note         | Ripple and noise are measured at 20MHZ of bandwidth by using a 300mm twisted pair-wire terminated<br>All parameters NOT specially mentioned are measured at 240VAC input, full load and 25C of ambient |  |

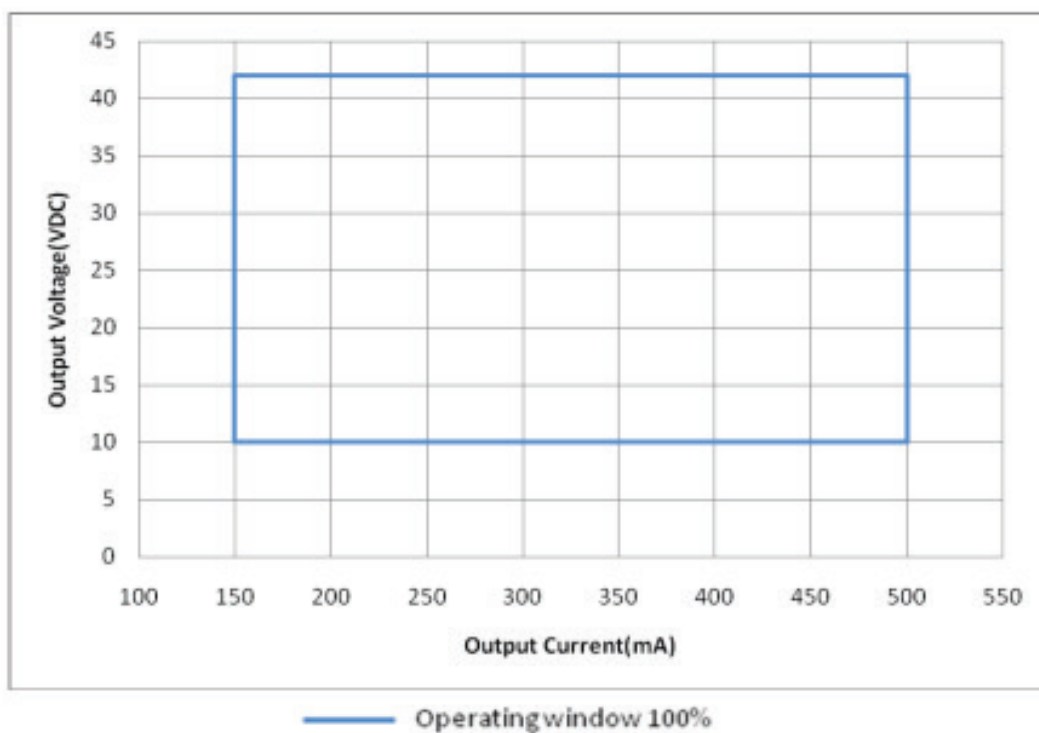
**→ ADJUSTABLE OUTPUT CURRENT WITH DIP-SWITCH**

| Vo       | Po    | Io    | 1  | 2  | 3  | 4  |
|----------|-------|-------|----|----|----|----|
| 10-42VDC | 6.3W  | 150mA | -- | -- | -- | -- |
| 10-42VDC | 8.4W  | 200mA | ON | -- | -- | -- |
| 10-42VDC | 10.5W | 250mA | -- | ON | -- | -- |
| 10-42VDC | 12.6W | 300mA | -- | -- | ON | -- |
| 10-42VDC | 14.7W | 350mA | ON | -- | ON | -- |
| 10-42VDC | 16.8W | 400mA | -- | ON | ON | -- |
| 10-42VDC | 18.9W | 450mA | ON | ON | ON | -- |
| 10-42VDC | 21W   | 500mA | ON | ON | ON | ON |

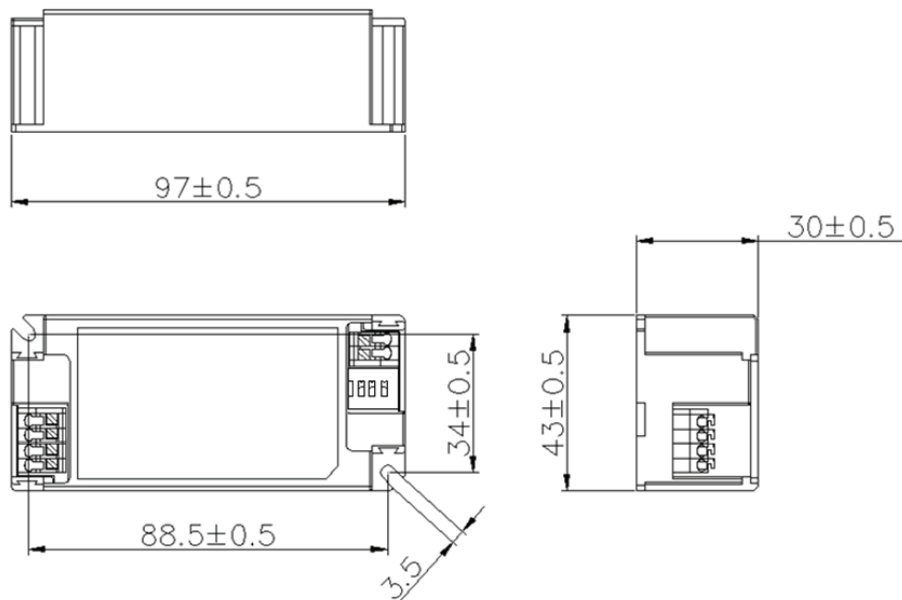
**→ WIRING DIAGRAM**



## → OPERATING WINDOW



**→ DIMENSIONS WITHOUT SIDE CAPS**



**→ DIMENSIONS WITH SIDE CAPS**

