

42W CONSTANT CURRENT STANDARD DIP SWITCH SERIES

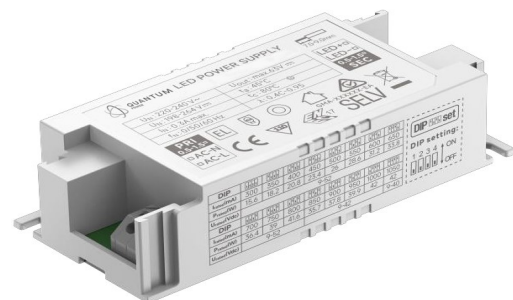
Constant current LED driver with 850 to 1050mA output current and a forward voltage range from 28 to 40Vdc. The output current is selectable by DIP Switch. With it's compact dimensions from 97 x 43 x 26mm it is easy to integrate in LED Panel and down light products. The side covers are available as accessories and allow to use the LED driver independent.

→ APPLICATION

- LED Panel
- LED Track Spot light
- LED Down light
- LED Strip light

→ FEATURES

- Flicker free & Dip-Switch
- Class II, SELV built-in/independent
- Protections: SCP/OLP/OVP
- Power Factor >0.95
- Efficiency ≥87%.
- Five years warranty



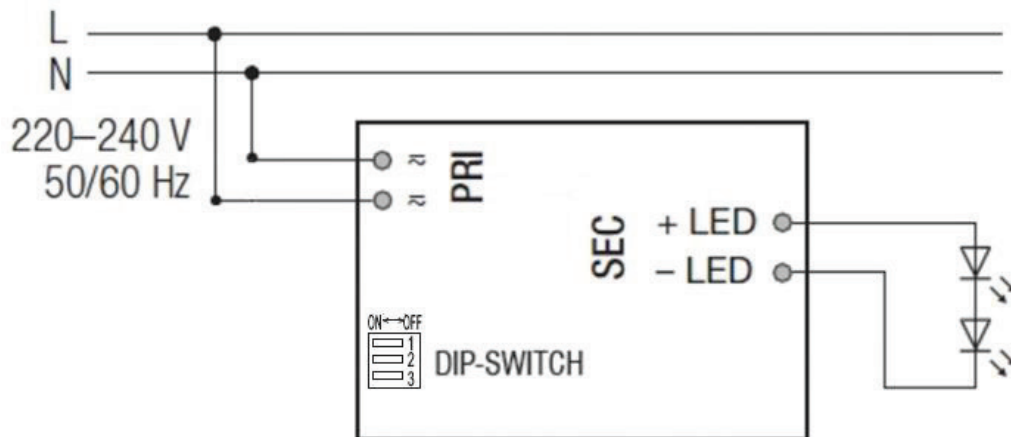
➔ **Technical data**

Input	AC input voltage	220-240VAC
	DC of input voltage	198-264VAC
	Frequency(Hz)	50/60 Hz
	Power Factor	>0.95 @220-240Vac, Full load, I _o =1050mA
	Input Current max	0.32A MAX. @Full Load,198VAC
	Start-up time	<0.5S
	Unload Power Consumption	≤0.5W
	Inrush Current	30A Max.
Output	Constant Current *Note.3	850/900/950/1050mA
	No load voltage Max.	50 VDC
	Output Voltage Range	28-40VDC
	Rated power	42W Max.
	Load Regulation	±5%@220-240Vac
	Hold-up Time	1s max.@Full Load
	Efficiency(Typ.)	≥87%@Full Load,230VAC
Protection	Over Load Protection	103-120% Protection type: Auto Resume
	Over Voltage Protection	> 50VDC Protection type: Auto Resume
	Short circuit Protection	Protection type: Auto Resume
Environment	Operating Temperature	-20°C...+45°C
	t _c	85°C
	Storage Temperature	-40°C...+80°C
	Life time	>30,000H@45°C
	Humidity	20%-90%RH
Safety & EMC	Safety standards	EN 61347-1; EN61347-2-13; EN62384
	Withstand voltage	Input-Output : 3750V/5mA/1min
	EMI	EN55015; EN61000-3-2 Class C; EN61000-3-3
	EMS	EN 61547; EN 61000-4-2; EN 61000-4-5 —1000V;
	Dimension	With side caps: 131X43X26(LXWXH)mm Without side caps: 97X43X26(LXWXH)mm
Note	Ripple and noise are measured at 20MHZ of bandwidth by using a 300mm twisted pair-wire terminated All parameters NOT specially mentioned are measured at 240VAC input, full load and 25C of ambient	

➔ ADJUSTABLE OUTPUT CURRENT WITH DIP-SWITCH

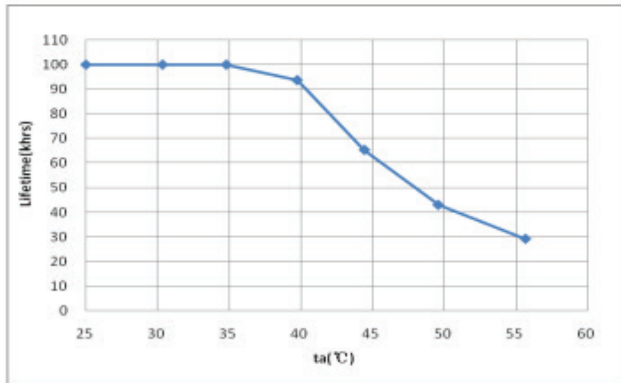
Vo	Po	Io	1	2	3
28-40VDC	34W	850mA	--	--	--
28-40VDC	26W	900mA	ON	--	--
28-40VDC	38W	950mA	--	ON	--
28-40VDC	42W	1050mA	--	--	ON

➔ WIRING DIAGRAM

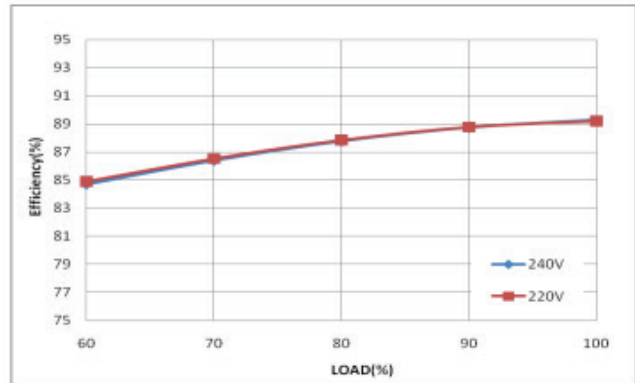


➔ **FUNCTION CURVE FOR I_o=800MA**

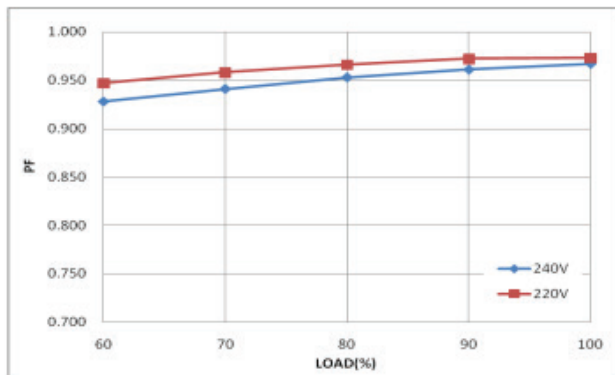
LIFETIME VS. AMBIENT TEMPERATURE CURVE



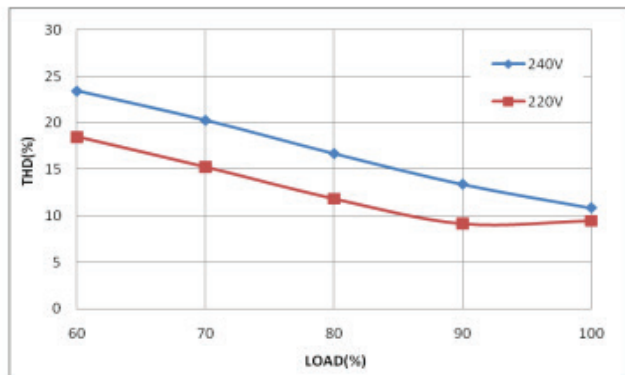
EFFICIENCY VS. LOAD



POWER FACTOR CHARACTERISTICS



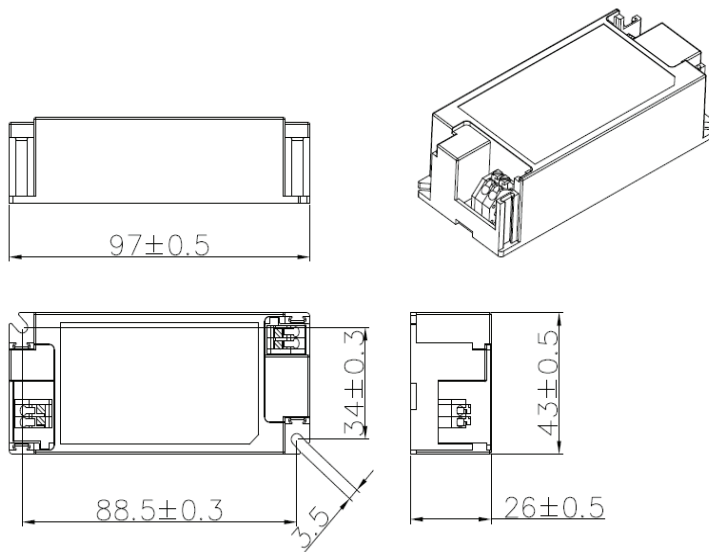
THD VS. LOAD



**LED DRIVER INDOOR
CONSTANT CURRENT
STANDARD - DIP SWITCH**

QPEC-SDS-42-1050 E S

→ DIMENSIONS WITHOUT SIDE CAPS



→ DIMENSIONS WITH SIDE CAPS

