

150W CONSTANT VOLTAGE DIMMABLE DALI2 SERIES

constant voltage LED driver that operates from 198-264Vac input with 24V output voltage. With it's compact dimensions from 290 x 45 x 30.5mm it is easy to integrate in LED strips, linear light and troffer light products. To ensure trouble-free operation, protection is provided against output short circuit and over Load.

→ APPLICATION

- LED Strip
- LED Linear light
- LED Troffer light

→ FEATURES

- Flicker free
- Class II, SELV, independent
- Protections: SCP/OLP/OVP
- Power Factor >0.95
- Efficiency ≥86%.
- Suport DALI II , Push Dimming
- Five years warranty



➔ **Technical data**

Input	Rated input Voltage	220-240VAC
	Range of input voltage	198-264VAC
	Frequency(Hz)	50/60 Hz
	Power Factor	> 0.95@220-240VAC, Full
	Input Current max	0.35A MAX. @Full Load,198VAC
	Start-up time	< 1S
	Unload Power Consumption	≤ 0.5W
	Inrush Current	90A Max.
Constant Voltage	Constant Voltage	24±1VDC
	Output voltage Range	6.25A Max.
Output	Rated power	150W Max.
	Load Regulation	±1%
	Hold-up Time	≥5ms/230VAC @ full load
	Efficiency(Typ.)	≥ 89%
	Dimmable	YES
Dimming	Dimming mode	DALI II, Push
	Dimming current range	1%~100%
	Over Load Protection	105-150% rated output power Protection type: Auto Resume
Protection	Short circuit Protection	Protection type: Auto Resume
	Over Temperature protection	Protection type: Auto Resume
	Operating Temperature	-20℃...+50℃
Environment	tc	85℃
	Storage Temperature	-30℃...+65℃
	Temperature coefficient	±0.03%/℃(0-40℃)
	Humidity	20%-95%RH
	Safety standards	EN 61347-1; EN61347-2-13; EN62384;
Safety & EMC	Withstand voltage	Input-Output 3750V/5mA/1min
	EMI	EN55015; EN61000-3-2 Class C; EN61000-3-3
	EMS	EN 61547; EN 61000-4-2; EN 61000-4-5 —1000V;
	Dimension	290X45X30.5(LXWXH)mm
Note	Ripple and noise are measured at 20MHZ of bandwidth by using a 300mm twisted pair-wire terminated	
	All parameters NOT specially mentioned are measured at 240VAC input, full load and 25C of ambient	

→ MODEL LIST

No.	Model number	Input			Output		
		Voltage (VAC)	Max.Current (A)	Frequency (Hz)	Constant voltage (V)	Normal working current (VDC)	Max Power (W)
1	QPEV-DAL2-150W-24 E	220-240	1	50/60	24	0-6.25	150

→ MAXIMUM LOADING OF AUTOMATIC CIRCUIT BREAKERS IN RELATION TO INRUSH CURRENT

Automatic circuit breaker type	C10	C13	C16	C20	B10	B13	B16	B20
Installation \emptyset	1.5mm ²	1.5mm ²	1.5mm ²	1.5mm ²	1.5mm ²	1.5mm ²	1.5mm ²	1.5mm ²
QPEV-DAL2-150W-24 E	7	8	10	13	4	5	6	8

These are max values calculated out of inrush current! Please consider not to exceed the maximum rated continuous current of the circuit breaker. Actual values may differ due to used circuit breaker types and installation environment.

→ WIRING

LED wire length Grunes internally verified the wire length from LED driver to LED module at full load is up to 18 meter Chose a proper wire thickness to reduce the voltage drop effect .

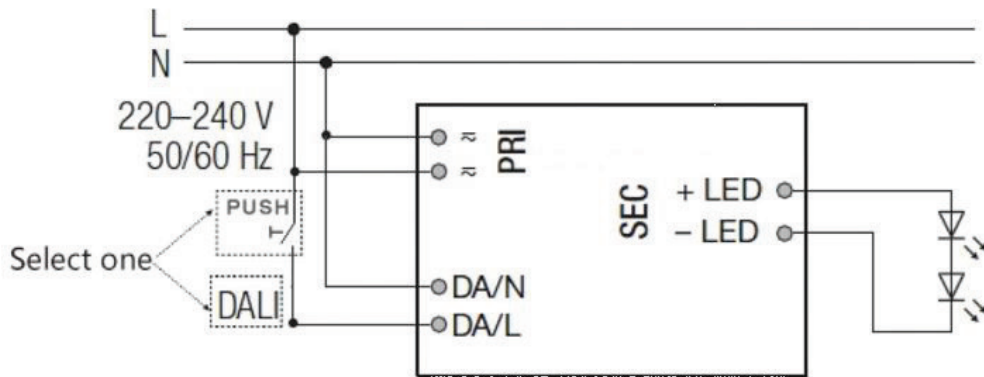
Wire cross section	mm ²	1.0mm ²	105mm ²
	AWG	17	15
Maximum cable length		10m	18m

The values are indicative. Each connection may increase the total voltage drop.

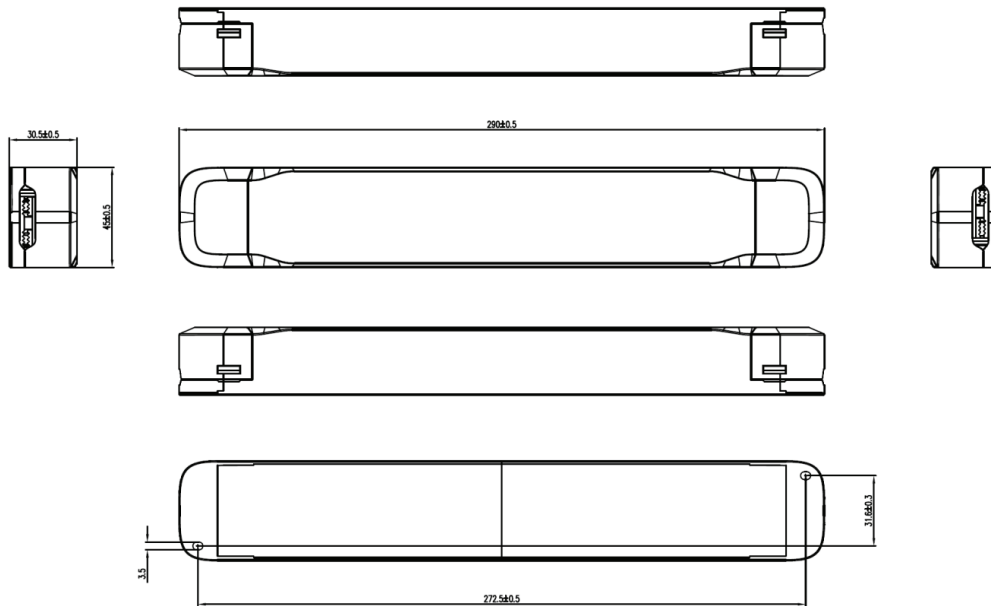
**LED DRIVER INDOOR
CONSTANT VOLTAGE
DIMMABLE - DALI2**

QPEV-DAL2-150W-24 E

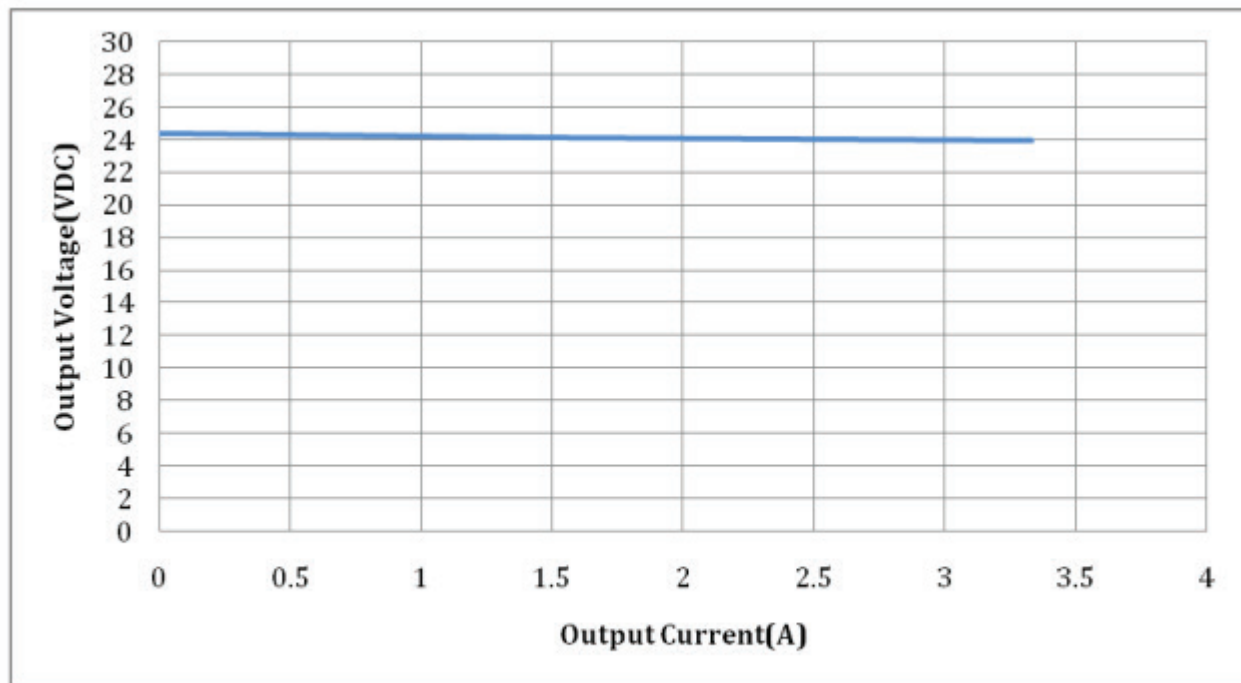
→ WIRING DIAGRAM



→ DIMENSIONS



→ OPERATING WINDOW



— Operating window 100%